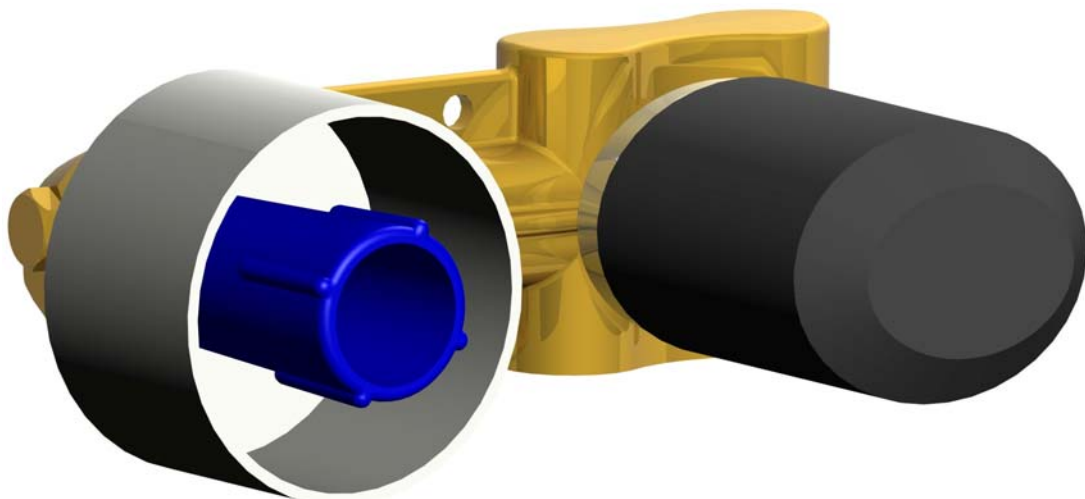


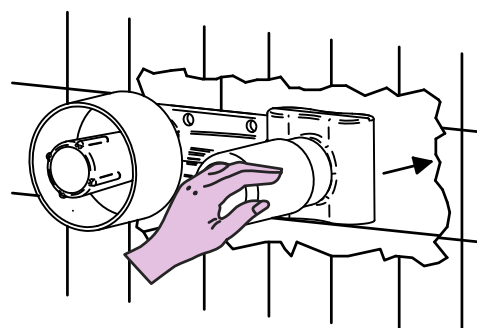
Incassi

Istruzioni di installazione / Installation instruction

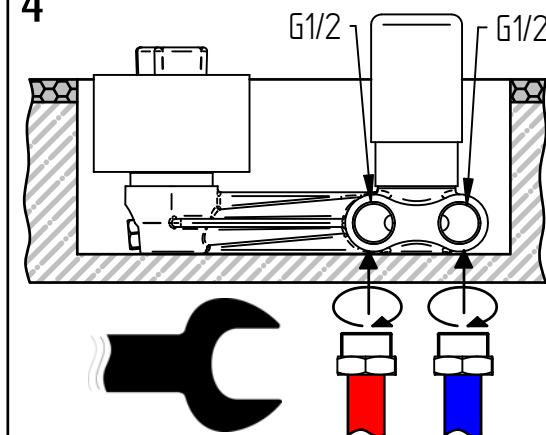
Art. 804050



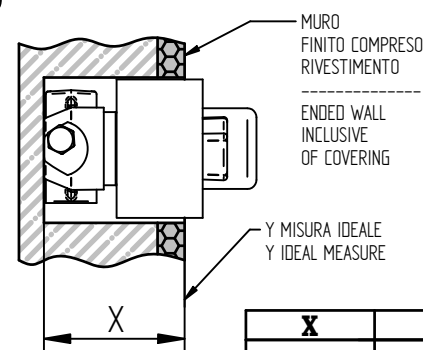
3



4

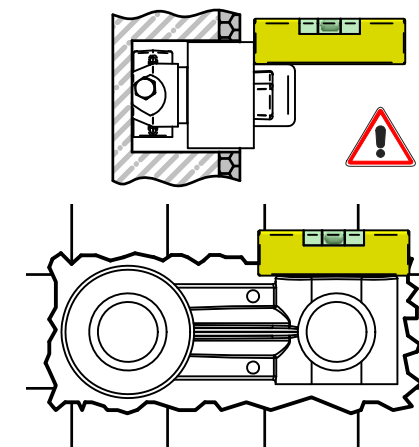


5

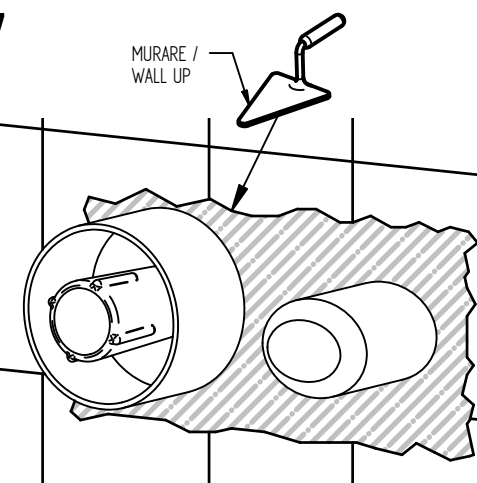


X	Y
70-85	77,5

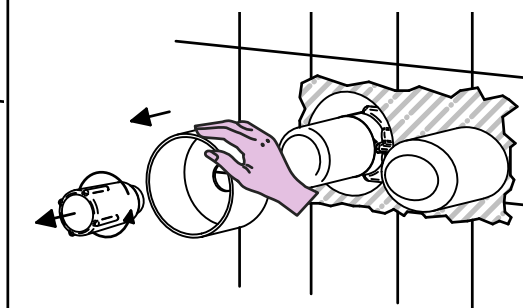
6



7

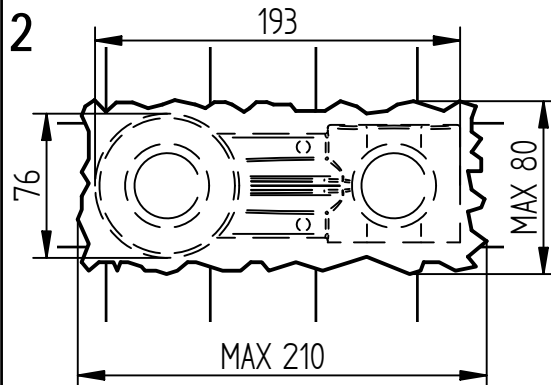


8



Per installatore: Al fine di garantire la durata del prodotto installare rubinetti con filtro da pulire periodicamente. Effettuare risciacquo delle tubazioni prima di installare il prodotto (PUNTO 1).
Eventuali residui se finissero all'interno della cartuccia potrebbero causarne il danneggiamento.
For installator: In order to guarantee a long duration of the product install valves with filter, which have to be regularly cleaned (POINT 1). Carry out the rinsing of the pipes before install the tap.
Some external materials may damage the cadrige if not removed before the installation.

1 **IMPORTANTISSIMO**
VERY IMPORTANT



MADE IN ITALY

DESIGN

EQB

MADE IN ITALY

This product has been entirely manufactured in Italy, by top quality raw materials.



MADE IN ITALY

DESIGN

EQB

MADE IN ITALY

This product has been entirely manufactured in Italy, by top quality raw materials.

